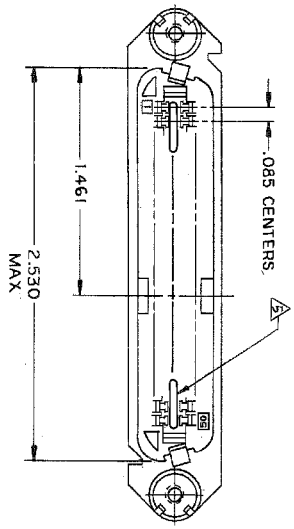
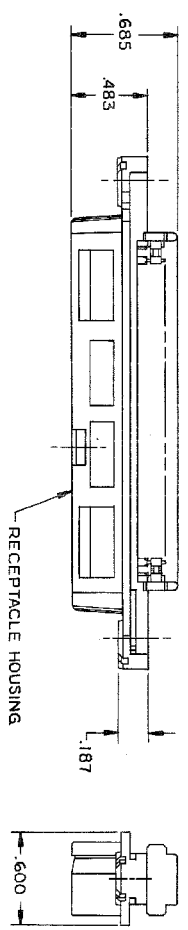
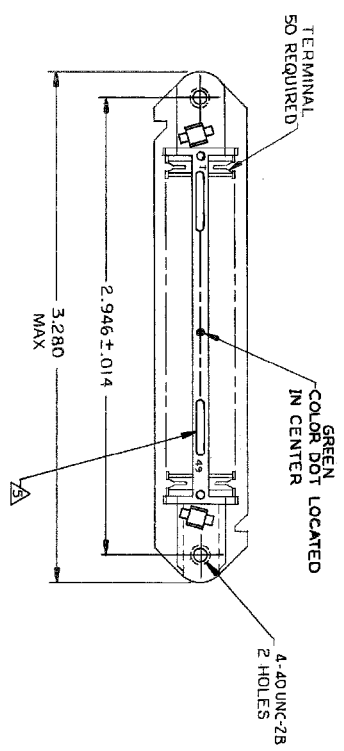


REV	DATE	REVISIONS	DATE	BY
GP 00		REVISION		
AC		REVISED PER EOP-06-00823	3/24/07	ZYR/W/L/M



1. THE CONTACT SURFACES OF THE TERMINALS ARE COATED WITH LUBRICANT.
  2. ALL DIMENSIONS SHOWN ARE FOR REFERENCE ONLY UNLESS OTHERWISE SPECIFIED.
- △ MATERIAL:  
 HOUSING - THERMOPLASTIC (BLACK)  
 TERMINALS - HIGH STRENGTH COPPER ALLOY PLATED WITH .000030 MIN GOLD OR GOLD FLASH OVER .000030 MIN PALLADIUM NICKEL ON CONTACT MATING SURFACE. .000050 MIN NICKEL UNDERPLATE OVER ENTIRE TERMINAL.
4. WIRE SIZE: 22 AWG SOLID OR 22 AWG 7 STRANDS OF COPPER CONDUCTORS. MAX INSULATION DIAMETER OF .045 IS ACCEPTABLE FOR MOST APPLICATIONS.
- △ CORING MAY OR MAY NOT APPEAR AND IS AT THE DISCRETION OF TYCO ELECTRONICS.

DIMENSIONS		TOLERANCES		FINISHES	
0	AC	0	AC	0	AC
1	AC	1	AC	1	AC
2	AC	2	AC	2	AC
3	AC	3	AC	3	AC
4	AC	4	AC	4	AC
5	AC	5	AC	5	AC
6	AC	6	AC	6	AC
7	AC	7	AC	7	AC
8	AC	8	AC	8	AC
9	AC	9	AC	9	AC
10	AC	10	AC	10	AC

THIS DRAWING IS A CONTROLLED DOCUMENT	DATE	2-12-06
BY	STEPHEN DOSS	2-11-06
APPROVED BY	V. E. SLACK	2-11-06
PRODUCT SPEC		
APPLICATION SPEC		
REVISION		
CUSTOMER DRAWING		

TYCO ELECTRONICS CORPORATION	1700 ELECTRONICS CORPORATION
PO BOX 1000	HERMISTON PA 17036-1000
RECEPTACLE ASSEMBLY, 50 POSITIONS, C SLOT	
W/ 4-40 HOLES, CHAMP-LOK	
SIZE 1 DATE CODE DRAWING NO	
A2100779	552064
SCALE	NTS
SHEET	1 OF 1
REV	AC